

**機**械加工乃工業發展之基石，耕益秉持著“一步一腳印”永續經營之信念，曾榮獲日本三浦株式會社、日本世機工業...等(OEM)加工技術指導進而碩大，於1989年創立「耕益實業有限公司」，並呈現更優異的加工技術，使電梯精密配件穩健成長。

為提高“耕益公司”的服務品質，於1999年不惜鉅資，增購自動化生產設備，以CNC電腦機械為主，並將工廠遷移至彰化縣工業區，不僅能使北、中、南客戶皆能有高效率的配送服務及高品質的產品，更可提高耕益公司的生產效能，大幅提升產業競爭力。

為拓展海外業務，於2003年在印尼雅加達設立分公司-「PT.CENINDO PERKASA」，國外客戶的信任使耕益更加日益茁壯。本公司堅持所有的電梯零件產品皆在「台灣製造」；在嚴格的控管下，希望給予客戶最高的品質保證。基於此理念，2006年成立專屬電梯配件公司-「耕進電梯配件有限公司」。

耕益亦積極向多方面發展，於2008年成立-「葛芮亞貿易有限公司」，代理自印尼進口之咖啡豆及木體傢俱，使觸角延伸到不同的層面。為擴大業務需求，2011年於彰濱工業區設立專屬鑄造廠，與機械加工連成一貫作業，成立「耕進鑄造有限公司」。

2012年4月耕進通過ISO9001認證，秉持著「以客為尊、服務至上」之經營理念及客戶們的支持愛護與指導，耕益才有今日的成績。期許未來，耕益能拓展經營領域，朝多角化發展，更以永續經營為宗旨。



**M**achining is an important process to advanced industries. Geng-Yig keeps the faith of "Step by Step" to continue our business and also get the appreciate from "MIURA CO., LTD." as OEM of boiler, etc. Therefore, our processing technology become expert. GENG-YIG ENTERPRISE CO., LTD. was established in 1989 and has presented outstanding machinery-processing technologies to the elevators, which lead the precision elevator accessories to grow steadily.

In 1999, we purchased additional automated production equipment, primarily CNC computer machines, to provide excellent elevator parts with the best service. Together, we have enhanced our efficiency in our production and competitiveness in the industry. Also, with relocation of factory to Changhua County Industrial Park, we have greatly increased our efficiency of distribution to our customers in Northern, Middle, and Southern Taiwan.

In 2003, the branch, PT.CENINDO PERKASA, was established in Jakarta, Indonesia, to develop overseas services. With the support and appreciation of the customer's trust, we have earned a gradual growth abroad.

Our company insisted that all of our elevator components are "made in Taiwan". We strive to give our customers the highest quality guaranteed under our strict production control. Motivated by this objective, we established GENG-JIN ELEVATOR ACCESSORIES CO., LTD. exclusively for elevator-accessories productions in 2006.

Geng-Yig continues positive developments in various industries. In 2008, we established GREYA TRADING CO., LTD. to represent coffee beans and woodcarving furniture from Indonesia.

For further expansion, "GENG-JIN FOUNDRY CO., LTD." was established in 2011 at Changhua Coastal Industrial Park, with production of as-cast solely for Geng-Yig Enterprise Co., Ltd.

In April 2012, Geng-Jin obtained ISO 9001:2008 certifications. "Customer Focus, Service First" is our primary purpose. Geng-Yig's success today is derived from customer's trust and guidance in improvements. In the future, we will expand the management in various areas to reach diversified developments and run the company with eternity as company policy.



公司簡介 ABOUT US 1-2  
目錄 CONTENTS

導向輪 DIRECTIVE WHEEL 3-4

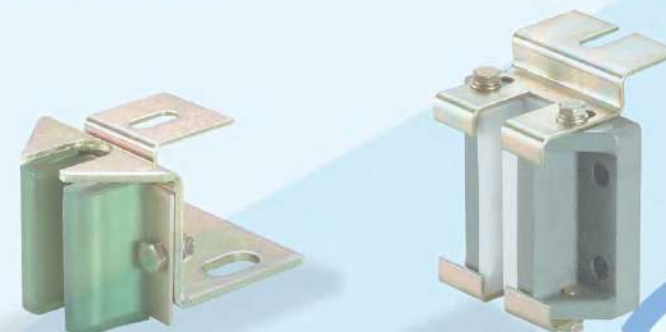
扶手 HAND RAIL 5-6  
導滑器 GUIDE SHOE

導滑器 GUIDE SHOE 7-8

9-10 導滑器 GUIDE SHOE  
張力輪 STRAIN WHEEL  
油壺 OILER

11-12 煞車塊 BRAKE BLOCK  
煞車拉桿 BRAKE PULLING ROD  
防落器 DEFENCE FALL DEVICE

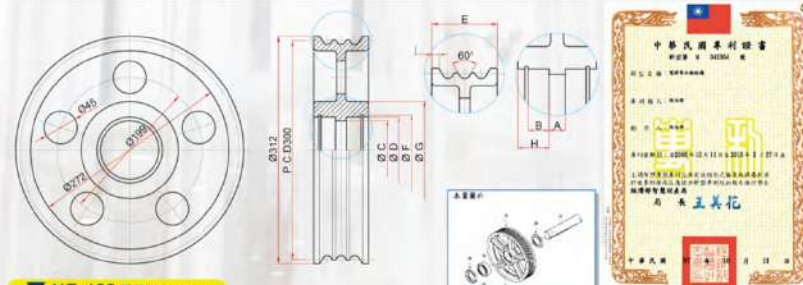
13-14 鋼索頭 STEEL ROPE ROD  
U型螺絲 U-BOLTS  
安全門扣 SAFETY LATCH  
緩衝彈簧 BUFFER SPRING



## 導向輪 DIRECTIVE WHEEL

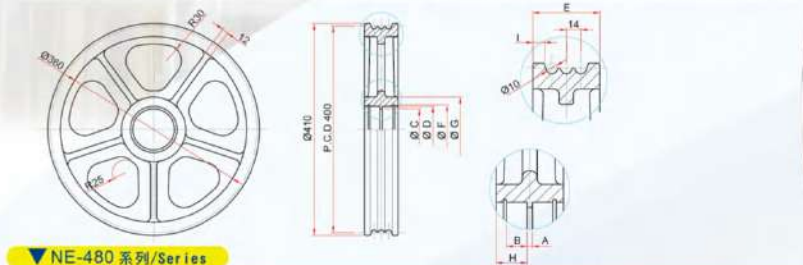
### NE-300系列/Series

品名規格 Model	軸心 Axle dia.	A	B	C	D	E	F	G	H	I	培林 Bearing	基本動 Cr(kgf)	基本靜 Cor(kgf)	重量 Weight(kg)	備註 Remarks
NE-3003V	50	5	20	80	90	65	95	133	30	10.5	6210Z	3600	2370	22.3kg	P14 x Ø10
NE-3003V	50	15	20	80	90	75	95	133	30	10.5	6210Z	3600	2370	23.4kg	P19 x Ø12
NE-3004V	60	25	22	100	110	95	115	147	35	11	6212Z	5350	3700	30.5kg	P19 x Ø12



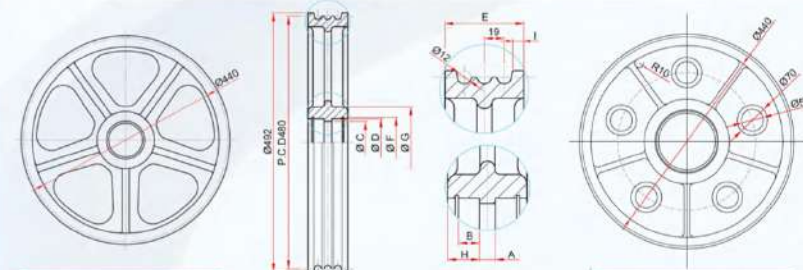
### NE-400系列/Series

品名規格 Model	軸心 Axle dia.	A	B	C	D	E	F	G	H	I	培林 Bearing	基本動 Cr(kgf)	基本靜 Cor(kgf)	重量 Weight(kg)	備註 Remarks
NE-4003V	50	5	20	80	90	65	95	125	30	12	6210Z	3600	2370	26.8kg	P14 x Ø10
NE-4004V	60	16	22	100	110	80	115	147	32	12	6212Z	5350	3700	32kg	P14 x Ø10
NE-4005V	60	28	22	100	110	92	115	147	32	11	6212Z	5350	3700	37.1kg	P14 x Ø10



### NE-480系列/Series

品名規格 Model	軸心 Axle dia.	A	B	C	D	E	F	G	H	I	培林 Bearing	基本動 Cr(kgf)	基本靜 Cor(kgf)	重量 Weight(kg)	備註 Remarks
NE-4803V	50	15	20	80	90	75	95	135	30	10.5	6210Z	3600	2370	38.2kg	P19 x Ø12
NE-4804V	60	25	22	100	110	95	115	155	35	11	6212Z	5350	3700	49.7kg	P19 x Ø12
NE-4805V	65	43	23	110	120	115	125	170	36	11.5	6213Z	5850	4100	61.1kg	P19 x Ø12
NE-4806V	70	60	24	115	125	135	130	176	37.5	12	6214Z	6350	4500	70.9kg	P19 x Ø12
NE-4807V	80	75	26	130	140	155	145	196	40	11	6216Z	7400	5400	98.6kg	P19 x Ø12
NE-4808V	90	85	30	150	160	175	165	222	45	13	6218Z	9800	7300	115.1kg	P19 x Ø12



NE-4803V~4806V

NE-4807V~4808V

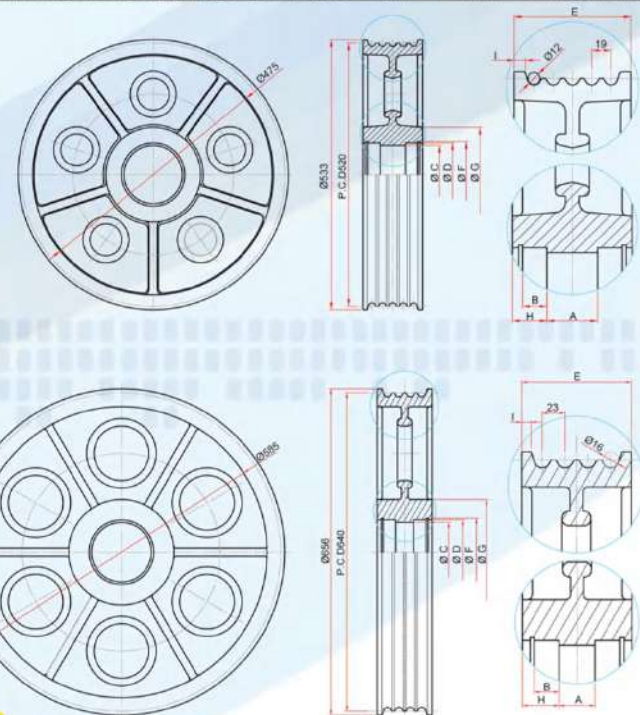
3 GENG-YIG ENTERPRISE

導向輪現由本公司彭濟廠自行鑄造，其材質為FC300，每只副輪硬度值在HB180~230，皆採用日本製培林，每只副輪齒是獨立的個體，而副輪上的標識就好比是身份証，不論是材質、硬度都有完整的記錄，若客戶有需求本公司可提供「副輪檢驗報告表」，這也是我們對客戶的品質保證。

GENG-JIN FOUNDRY CO., LTD is our major casting manufacturing supplier. The material is FC300 and the hardness range is within 180HB-230HB. Bearings of Directive Wheel are made in Japan with test report attached. Each wheel is individually independent. "The inspection report" is like the wheel ID card. In order to guarantee quality of products, we have all records completely like raw material, hardness, etc

### NE-520系列/Series

品名規格 Model	軸心 Axle dia.	A	B	C	D	E	F	G	H	I	培林 Bearing	基本動 Cr(kgf)	基本靜 Cor(kgf)	重量 Weight(kg)	備註 Remarks
NE-5204V	65	25	23	115	120	97	125	181	36	12	6213Z	5850	4100	66.1kg	P19 x Ø12
NE-5204V	70	20	24	115	125	97	130	181	38.5	12	6214Z	6350	4500	67.9kg	P19 x Ø12
NE-5205V	70	38	24	119	125	115	130	190	38.5	12	6214Z	6350	4500	79.9kg	P19 x Ø12
NE-5205V	75	38	25	119	130	115	135	190	38.5	12	6215Z	6750	5050	82.1kg	P19 x Ø12
NE-5206V	70	60	24	122	125	132	130	181	36	11	6214Z	6350	4500	74.9kg	P19 x Ø12
NE-5206V	80	50	26	122	140	132	145	181	41	11	6216Z	7400	5400	79.8kg	P19 x Ø12
NE-5207V	80	73	26	115	140	155	145	218	41	13	6216Z	7400	5400	106.5kg	P19 x Ø12
NE-5207V	85	69	28	115	150	155	155	218	43	13	6217Z	8550	6300	107.8kg	P19 x Ø12



### NE-640系列/Series

品名規格 Model	軸心 Axle dia.	A	B	C	D	E	F	G	H	I	培林 Bearing	基本動 Cr(kgf)	基本靜 Cor(kgf)	重量 Weight(kg)	備註 Remarks
NE-6403V	75	15	25	120	130	90	136	212	37.5	11.5	6215Z	6750	5050	102.6kg	P23 x Ø16
NE-6404V	75	36	25	120	130	110	136	212	37	10	6215Z	6750	5050	106.1kg	P23 x Ø16
NE-6404V	80	34	26	130	140	110	146	212	38	10	6216Z	7400	5400	108.4kg	P23 x Ø16
NE-6404V	85	55	28	140	150	135	156	232	40	11.5	6217Z	8550	6300	126.6kg	P23 x Ø16
NE-6405V	90	51	30	150	160	135	166	232	42	11.5	6218Z	9800	7300	129.7kg	P23 x Ø16
NE-6405V	90	76	30	150	160	160	166	243	42	12.5	6218Z	9800	7300	151.3kg	P23 x Ø16
NE-6406V	95	72	32	160	170	160	176	243	44	12.5	6219Z	11100	8350	154.5kg	P23 x Ø16
NE-6406V	95	95	32	160	170	185	176	255	45	13.5	6219Z	11100	8350	167.4kg	P23 x Ø16
NE-6407V	100	90	34	170	180	185	186	255	47.5	13.5	6220Z	12500	9500	170.8kg	P23 x Ø16
NE-6408V	100	115	34	170	180	205	186	263	46	14.5	6220Z	12500	9500	191.6kg	P23 x Ø16

Elevator Components, Machine Components 4

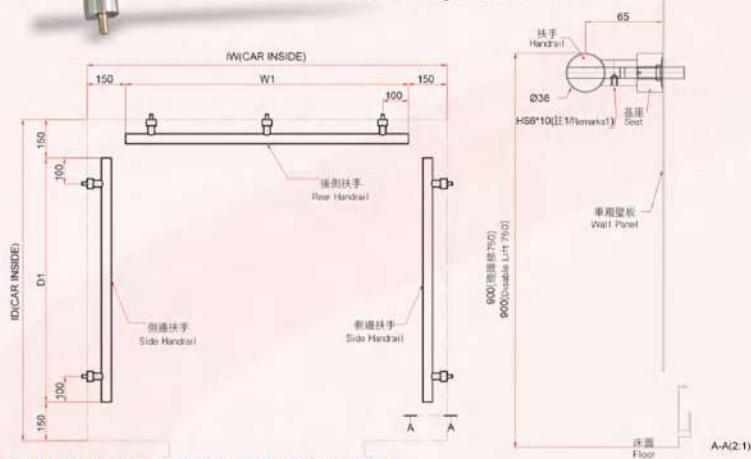
# 扶手 HAND RAIL

## ▼ TW5259D

組立No. Code No.	後側扶手 Rear Handrail	(2)側邊扶手 (2)Side Handrail	W1	D1	IW*ID	TYPE
TW5259D01	TW351E06	TW351E01	1100	550	1400*850	P6
TW5259D02	TW351E06	TW351E02	1100	730	1400*1030	P8
TW5259D03	TW351E06	TW351E03	1100	800	1400*1100	P9
TW5259D04	TW351E06	TW351E04	1100	950	1400*1250	P10
TW5259D05	TW351E06	TW351E05	1100	1050	1400*1350	P11
TW5259D06	TW351E06	TW351E06	1100	1100	1400*1400	P12
TW5259D07	TW351E08	TW351E05	1300	1050	1600*1350	P13
TW5259D08	TW351E08	TW351E07	1300	1200	1600*1500	P15
TW5259D09	TW351E10	TW351E07	1500	1200	1800*1500	P17
TW5259D10	TW351E11	TW351E07	1700	1200	2000*1500	P20
TW5259D11	TW351E11	TW351E09	1700	1450	2000*1750	P24
TW5259D00	工直指示 According To Request	工直指示 According To Request	工直指示 According To Request	工直指示 According To Request	工直指示 According To Request	



※扶手的表面處理可依客戶需求製作  
The surface treatment of the armrest can be made according to customer needs.



注:1)安裝扶手前,先將基座固定在車廂壁板上,且螺絲孔必須朝向床面  
2)再將扶手安裝在基座上以HS6\*10螺絲固定

Remarks:  
1. When install the handrail, please fix the seat into wall panel, and screw holes must be facing to floor.  
2. After that, the handrail installs to seat and fix with HS6\*10 screw

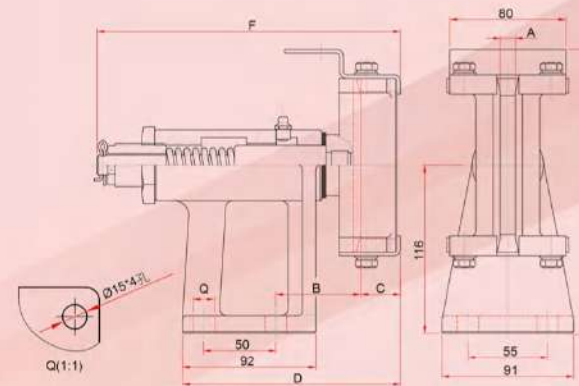
# 導滑器 GUIDE SHOE

導滑器材質為FCD450, 抗拉力性高, 本司堅持用最好材質給客戶最高的品質。

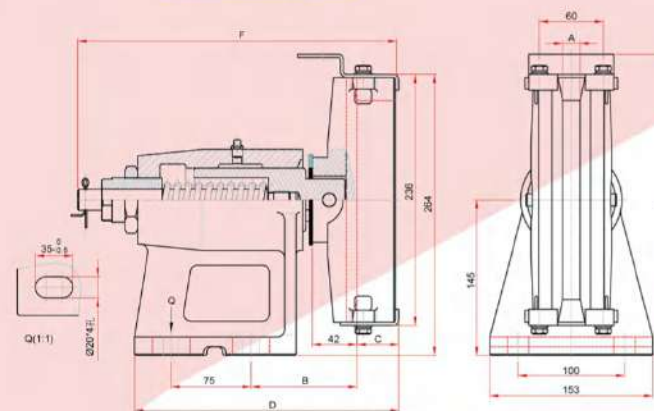
The material of GST, GSF, GSC Guide Shoe uses FCD450 which contains highly anti-pulling force. The material of GSA Guide Shoe uses FC250. We promise to give the best material source and the highest quality guarantee to our customers.

## 東芝型導滑器 GUIDE SHOE-GSC

品名規格 Model	油壓架 Oil Bracket	A	B	C	D	E	F	重量 Weight(kg)
GSC-8K	WITH/NO	10.45±0.1	61.5~62	27.5	156±0.5	197	210	4.4kg
GSC-13K	WITH/NO	16.3±0.1	61.5~62	31.5	161±0.5	197	215	4.6kg
GSC-24K	WITH/NO	16.3±0.1	95~100	40	248	283	300	15.8kg

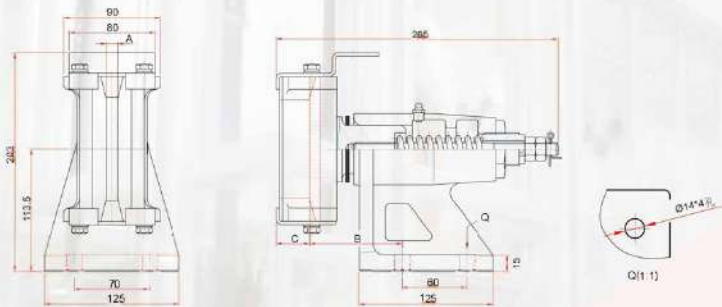


▲ GSC-8K/13K



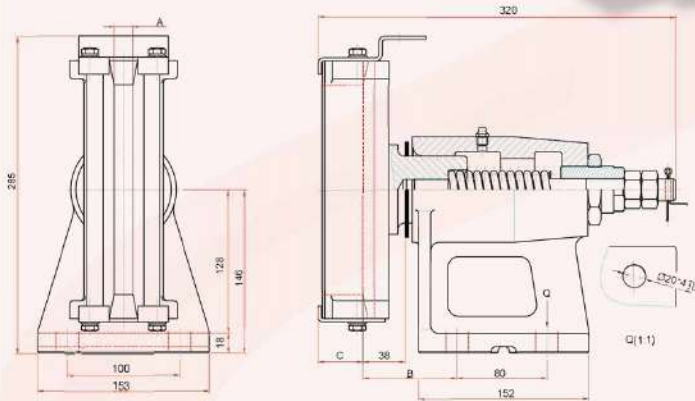
▲ GSC-24K (18K/24K通用)

### 滾用型導滑器 GUIDE SHOE-GST



▲ GST-8K/13K

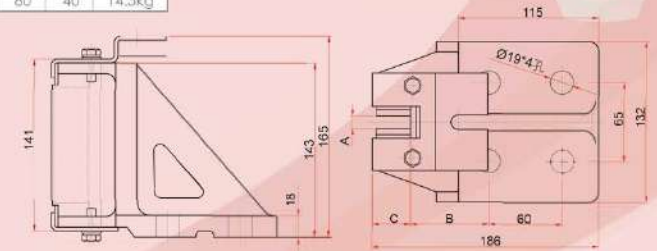
品名規格 Model	油壺型 Oil Bracket	A	B	C	重量 Weight(kg)
GST-8K	WITH/NO	10.4±0.1	85	31	7.9kg
GST-13K	WITH/NO	16.4±0.1	80	36	7.7kg
GST-24K	WITH/NO	16.4±0.1	80-85	40	15.8kg



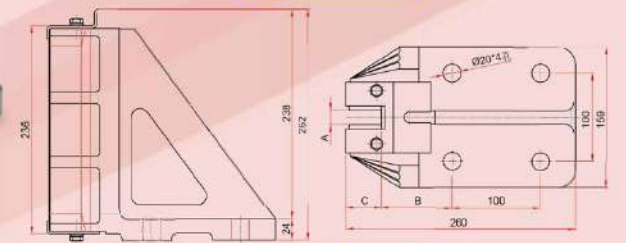
▲ GST-24K

### 固定型導滑器 GUIDE SHOE-GSF

品名規格 Model	油壺型 Oil Bracket	A	B	C	重量 Weight(kg)
GSF-8K	WITH/NO	10.4±0.1	65	31	6.4kg
GSF-13K	WITH/NO	16.3±0.1	60	36	6.4kg
GSF-18K24K	WITH/NO	16.3±0.1	80	40	14.5kg



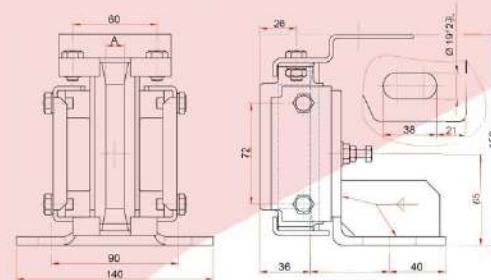
▲ GSF-8K/13K



▲ GSF-18K24K

### 三菱型導滑器 GUIDE SHOE-GSM

品名規格 Model	油壺型 Oil Bracket	A	重量 Weight(kg)
GSM-8K	WITH	10.4±0.05	2.2kg
GSM-13K	WITH	16.4±0.05	2.2kg



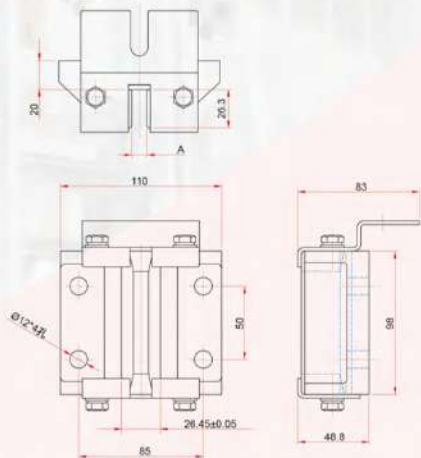
▲ GSM-8K/13K



### 側面式導滑器 GUIDE SHOE-GSA

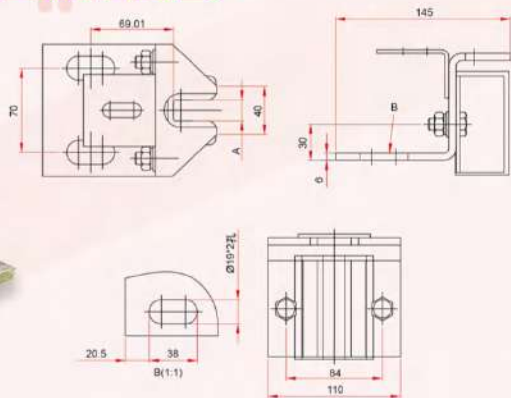
材質為FC250  
The material of GSA Guide Shoe uses FC250.

品名規格 Model	油壺架 Oil Bracket	A	重量 Weight(kg)
GSA-8K	WITH/NO	10.46 ±0.05	1.9kg
GSA-13K	WITH/NO	16.45 ±0.05	1.9kg



▲ GSA-8K/13K

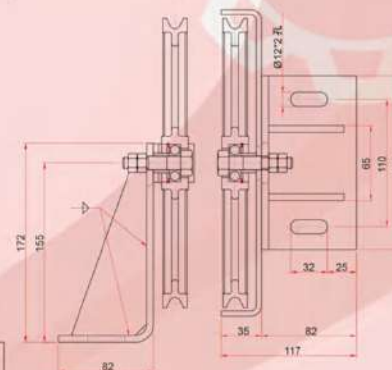
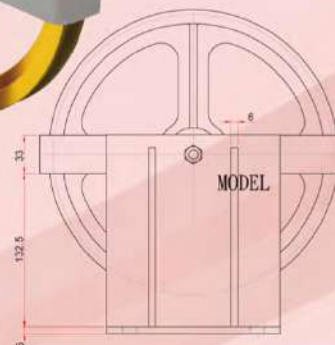
### 三翼型空心導滑器 GUIDE SHOE-GSE



品名規格 Model	油壺架 Oil Bracket	A	重量 Weight(kg)
GSE-5K	WITH/NO	17.5	1.6kg
GSE-8K	WITH/NO	10.5	1.8kg

▲ GSE-5K/8K

### 張力輪 STRAIN WHEEL



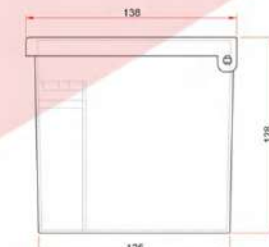
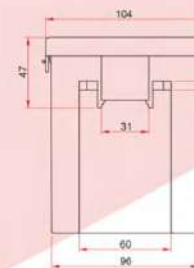
品名規格 Model	重量 Weight(kg)
CA-250	4.8kg

▲ CA-250

電梯零件界裡的「台灣之光」，油壺內部採特殊設計，鎖緊螺絲後，就無漏油之困擾，且具耐油、耐撞擊的特性。本公司的油壺-『低價位，高品質』，銷售於東南亞的數量已逾十萬只，平均一年銷售二萬只。

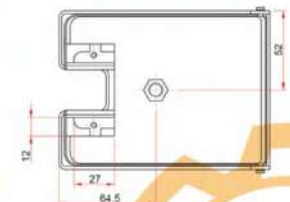
Our Oiler is "The Proud of Taiwan" in the field of manufacturing elevator component. The internal of Oiler contains special design. After fastening the screw, Oiler will not have leaking problem. Moreover, it also contains tolerance of oily and crash. Base on "low price, high quality", we have been sold Oiler more than 100,000 units in Southeast Asia. The average is 20,000 units each year.

### 油壺 OILER



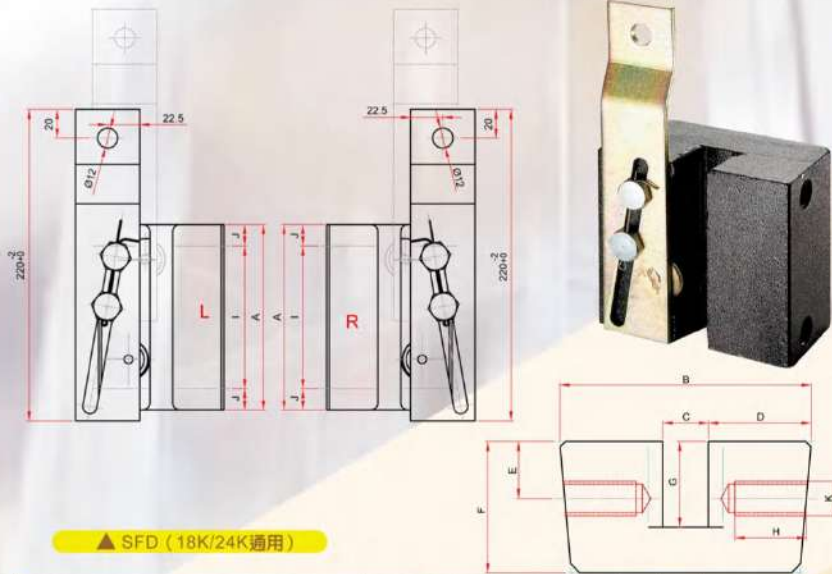
品名規格 Model	重量 Weight(kg)
OL-006	0.3kg

▲ OL-006



## 煞車塊 BRAKE BLOCK

煞車塊材質為SS400，其表面採消磁硬力處理，且經「金屬工業研究發展中心」測試，並附試驗報告表。  
Brake Block passed the test in "SGS".  
The test report is attached.



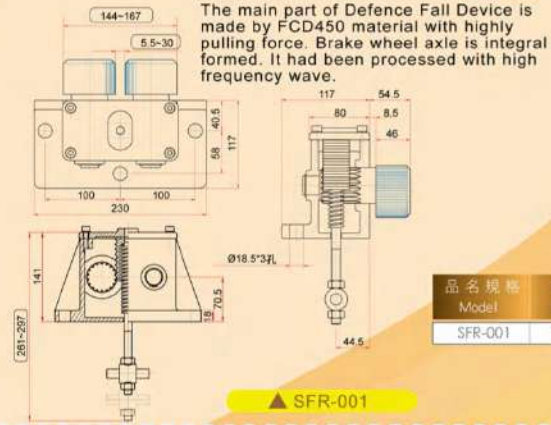
▲ SFD (18K/24K通用)

品名規格 Model	尺寸 Size	A	B	C	D	E	F	G	H	I	J	K	重量 Weight(kg)
SFD-100-8K-R	100(4")-8K-R	130	88	16	36	20	46	30	17	110	15	M12*P1.75	3.2kg
SFD-100-8K-L	100(4")-8K-L	130	88	16	36	20	46	30	17	110	15	M12*P1.75	3.2kg
SFD-125-8K-R	125(5")-8K-R	120	108	16	46	20	60	30	20	90	15	M12*P1.75	5.2kg
SFD-125-8K-L	125(5")-8K-L	120	108	16	46	20	60	30	20	90	15	M12*P1.75	5.2kg
SFD-125-13K-R	125(5")-13K-R	120	108	22	43	20	60	35	20	90	15	M12*P1.75	5kg
SFD-125-13K-L	125(5")-13K-L	120	108	22	43	20	60	35	20	90	15	M12*P1.75	5kg
SFD-150-24K-R	150(6")-24K-R	120	131	22	54.5	25	70	35	20	90	15	M16*P2	7.3kg
SFD-150-24K-L	150(6")-24K-L	120	131	22	54.5	25	70	35	20	90	15	M16*P2	7.3kg



## 防落器 DEFENCE FALL DEVICE

防落器材質為FCD450其抗拉性高，煞車輪軸一體成型製成且經高週波特殊處理。



The main part of Defence Fall Device is made by FCD450 material with highly pulling force. Brake wheel axle is integral formed. It had been processed with high frequency wave.

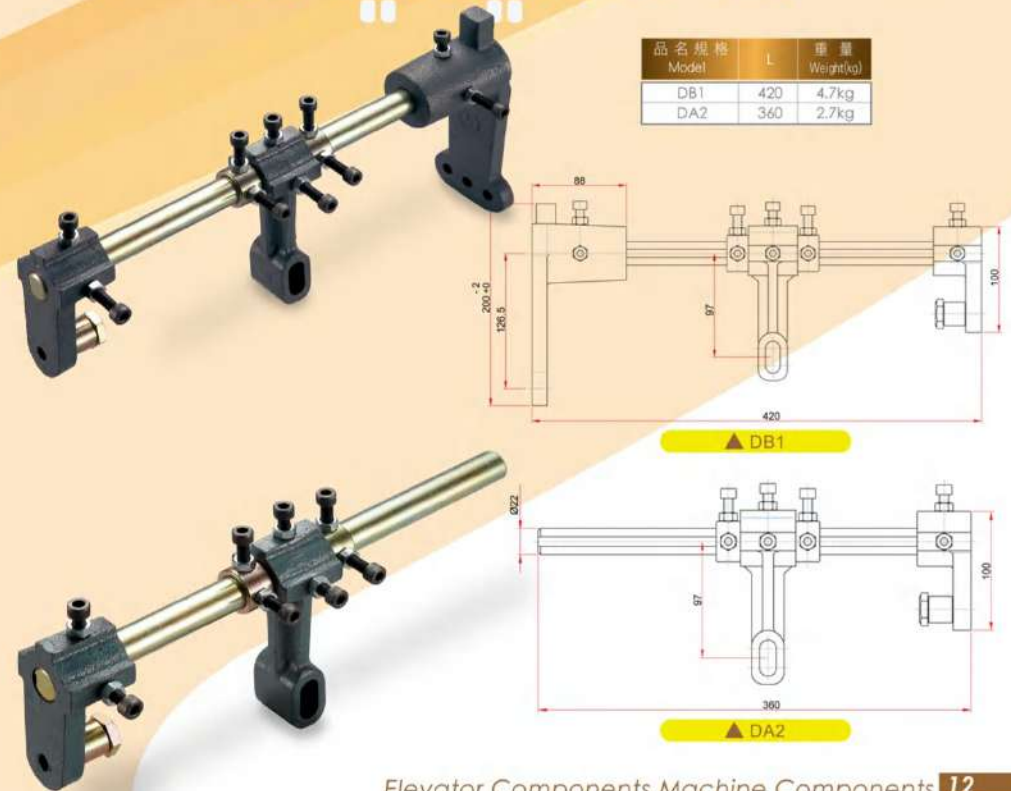
▲ SFR-001

品名規格 Model	重量 Weight(kg)
SFR-001	13.0kg



## 煞車拉桿 BRAKE PULLING ROD

品名規格 Model	L	重量 Weight(kg)
DB1	420	4.7kg
DA2	360	2.7kg



▲ DB1

▲ DA2

## 鋼索頭 STEEL ROPE ROD

鋼索頭的「鋼索夾管」是本公司向日本廠商-住友訂購，由日本進口至台灣，而鋼索頭的「鋼管」採一體成型製成，且經「金屬工業研究發展中心」的「拉力」測試，使品質更有保障，而鋼索頭的彈簧為台灣製造生產，並附測試報告表。

The clip tube of Steel Rope Rod is imported from a Japanese manufacturer - Sumitomo. The steel tube of Steel Rope Rod is integrated formed. It also passed the pulling force test in "Metal Industries Research & Development Centre" to ensure quality. The spring of Steel Rope Rod is 100% produced in Taiwan. The test report is attached.

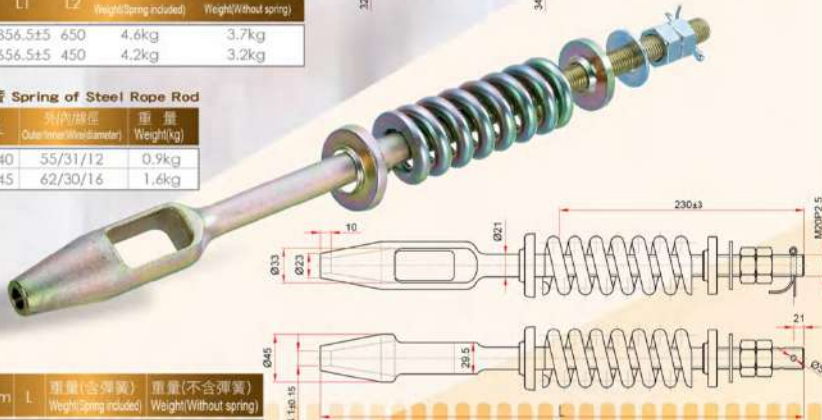


▲ TRC-12S

品名規格 Model	L1	L2	重量(含彈簧) Weight(Spring included)	重量(不含彈簧) Weight(Without spring)
TRC-12SA	856.5±5	650	4.6kg	3.7kg
TRC-12SB	656.5±5	450	4.2kg	3.2kg

### 鋼索頭彈簧 Spring of Steel Rope Rod

品名規格 Model	L	外/內線徑 Outer/Inner Wire Diameter	重量 Weight(kg)
B-55-C	140	55/31/12	0.9kg
B-62	145	62/30/16	1.6kg

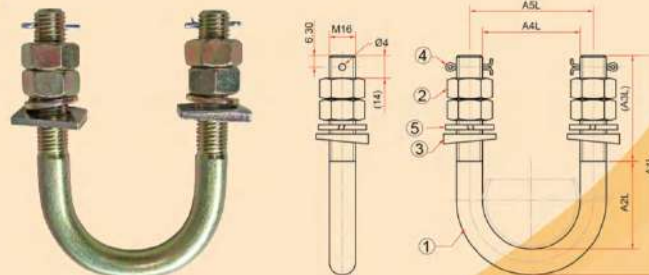


▲ TRC-12

品名規格 Model	mm	L	重量(含彈簧) Weight(Spring included)	重量(不含彈簧) Weight(Without spring)
TRC-12A	12	610	3kg	2.1kg
TRC-12B	12	455	2.6kg	1.6kg



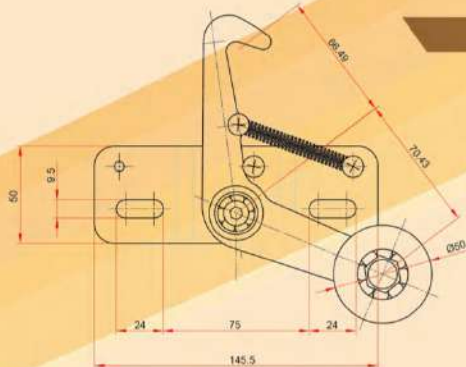
## U型螺絲 U-BOLTS



編號 Model	零件名稱 Part Name	規格 Type	數量 Quantity
01	U型螺絲 U-bolt		1
02	螺帽 Nut	M16	4
03	斜墊片 Diagonal gasket		2
04	插銷 Pin	Ø3*37	2
05	彈簧華司 Spring washer	M16	2

適用 Appliance	L番 L Fan	A1L	A2L	A3L	A4L	A5L
Ø50	L01	125	43	65	51	67
Ø60	L03	135	53	65	61	77
Ø65	L04	140	58	65	66	82
Ø70	L05	145	63	65	71	87
Ø75	L06	150	68	65	76	92
Ø80	L07	155	73	65	81	97
Ø85	L08	160	78	65	86	102
Ø90	L09	165	83	65	91	107
Ø95	L10	170	88	65	96	112

## 安全門扣 SAFETY LATCH



▲ HR-00(右/Right)

品名規格 Model	重量 Weight(kg)
HR-00	0.6kg

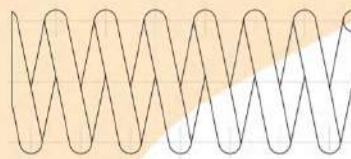


▲ HR-00(左/Left)

## 緩衝彈簧 BUFFER SPRING

緩衝彈簧皆為台灣製造，以提高本公司產品的品質。  
Buffer spring is 100% Made in Taiwan. To ensure the best quality, we don't use the products from China absolutely.

品名規格 Model	外/內線徑 Outer/Inner Wire Diameter	自由長度 Free Length	行程 Stroke	有效圈數 Using Circle	最大載重 Max Load(kgs)	重量 Weight(kg)	材質 Material
B-110	110/78/16	270	110	8	1085 kgf	4.5 kg	SUP9
B-120	120/80/20	285	105	7	2400kgf	6.4 kg	SUP9
B-124	124/100/12	255	147	7	310 kgf	2.7 kg	SW
B-125	125/75/25	290	40	8	1953 kgf	10.5 kg	SUP9
B-130	130/90/20	310	150	6	3000 kgf	6.2 kg	SUP9



ps兩端磨平

▲ BUFFER SPRING

